



Family Owned Over 75 Years. We Care!

VAPOR VENTS

UPFLOW VENT

Application -

Assures even pressure in the UST/AST during filling or dispensing



UNIVERSAL Advantage

Only from Universal! – Designed with an upward flow to rapidly disperse vapors. A grooved drain lip in the cap allows for efficient water drain-off.

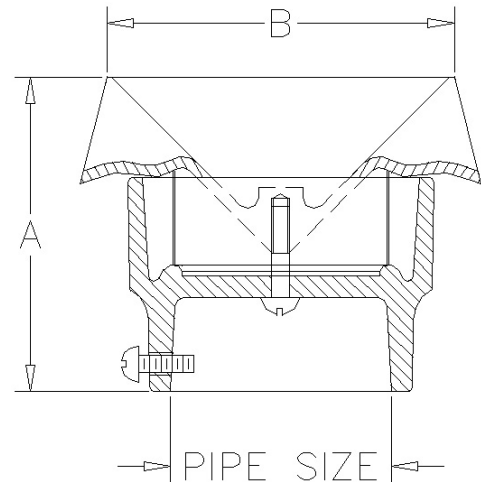
- All cast metal construction
- Easy installation with 2 set screws
- Flame retardant 40 mesh bronze screen
- Conforms with NFPA-30

- All metal body
- Bronze screen

Model	Pipe Size	Weight (lbs.)	A	B
45-15	1-1/2"	1.2	4-3/8"	4"
45-20	2"	1.1	4-3/8"	4"
45-30	3"	2.6	5-3/8"	6"

Replacement Parts

Part Numbers	Description
45-1-A	2" x 1 1/2" Bushing (Model 45-15)
45-2-E	2" Body Screw
45-3-E	3" Body Screw (Model 45-30)



Notice: Universal Valve Co., products must be used in compliance with applicable federal, state, and local laws and regulations. Product selection should be based on physical specifications and limitations and compatibility with the environment and material to be handled. Universal Valve Co., makes no warranty of fitness for a particular use. All illustrations and specifications in this literature are based on the latest production information available at the time of publication. Prices, materials, and specification are subject to change at any time, and models may be discontinued at any time, in either case, without notice or obligation.

